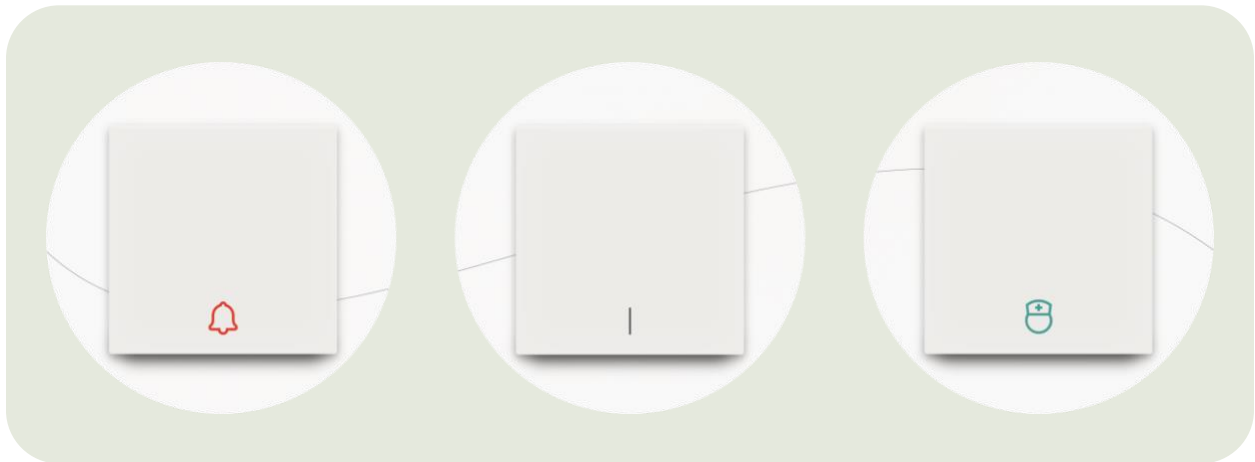




Installation manual: Nobi Buttons

This is a newly introduced peripheral that operates without batteries. The energy needed for its function is generated by the physical action of pressing the button. There are three types of Nobi buttons:

- Light button
- Alert button
- Presence button



The Nobi Buttons can be installed either with the adhesive strips on the back or by using screws.

Option 1: Using adhesive strips

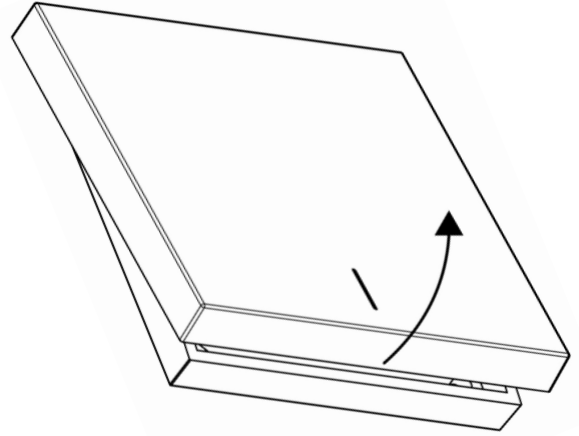
1. Prepare the Wall Surface
 - Ensure the area of the wall where you intend to mount the button is clean and dry. If the wall is dusty or greasy, wipe it down with a clean cloth. For optimal adhesion, you can clean the area with a cloth dampened with isopropyl alcohol and allow it to dry completely.
2. Decide the Placement
 - Hold the button against the wall in the spot where you want to install it. Check the orientation (the symbol should be on the bottom side) and make sure it's placed where you want it.
3. Mount the Button
 - Peel off the backing of the tapes on the button to expose the adhesive sides.
 - Press the button firmly against the wall at the desired location. Hold it in place for about 30 seconds to ensure the tapes make good contact with the wall.
4. Final Check
 - Give the adhesive some time to bond before using the button. This might mean waiting a few hours to ensure the tapes have fully adhered to the wall.

Tips for Best Results

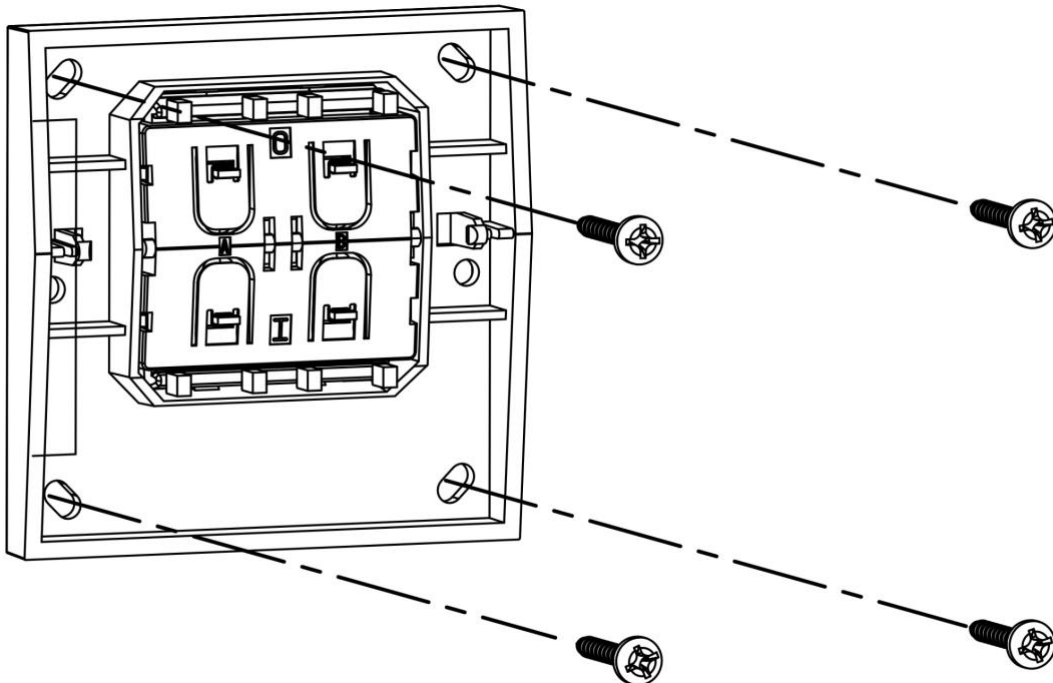
- Avoid mounting the button on wallpaper or painted surfaces that might be damaged or peel off.

Option 2: Using screws

1. To mount the Nobi Button using screws, you'll need to open the unit first. Begin by detaching the front of the Nobi Button from its back plate. Grip the front securely and pull it away from the button to access the internal mounting area.



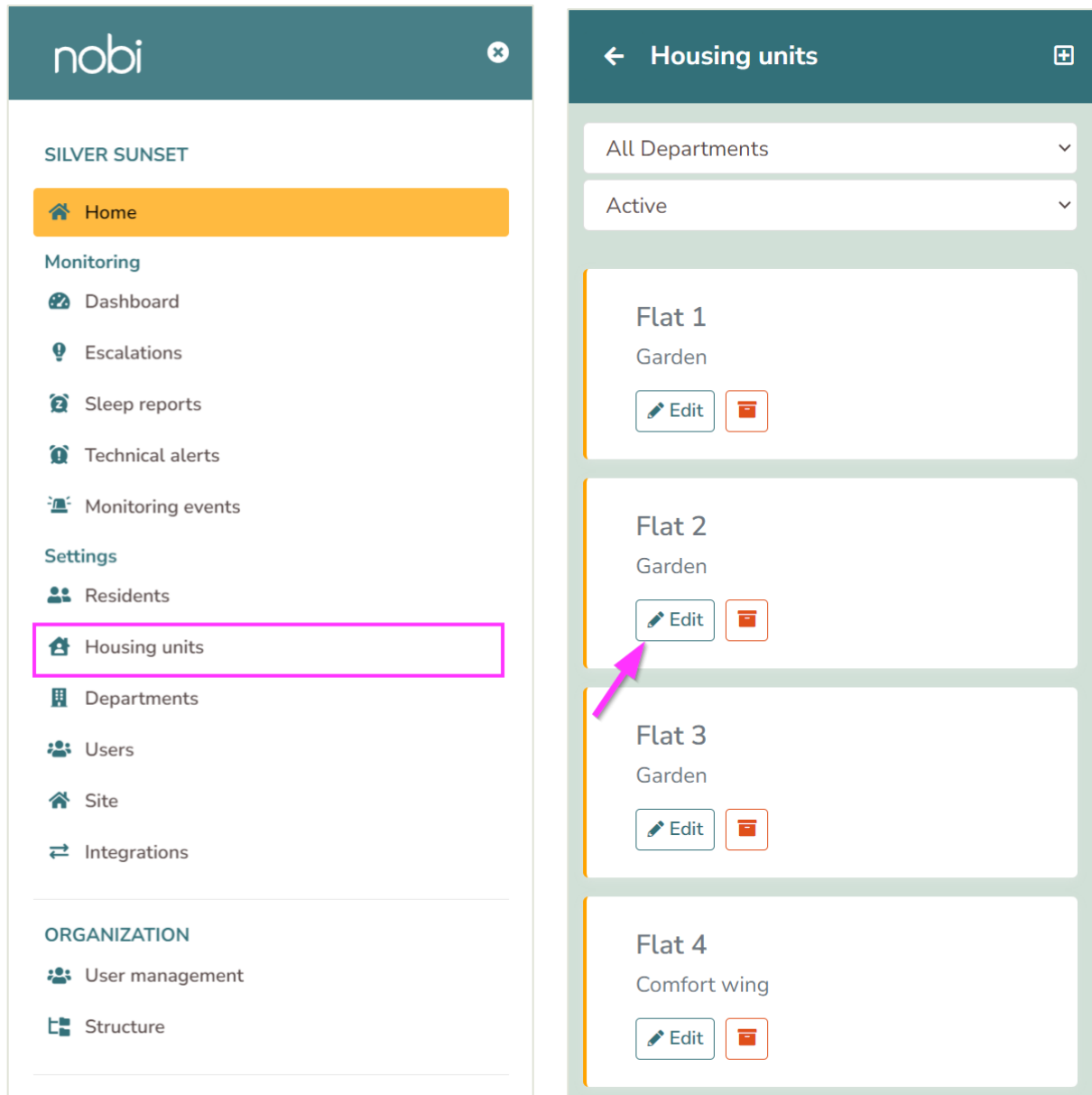
2. Attach the plate to the wall, ensuring that it is oriented with the correct side facing upwards. Secure it by screwing it into place. After securing the plate, reattach the front plate to complete the installation.



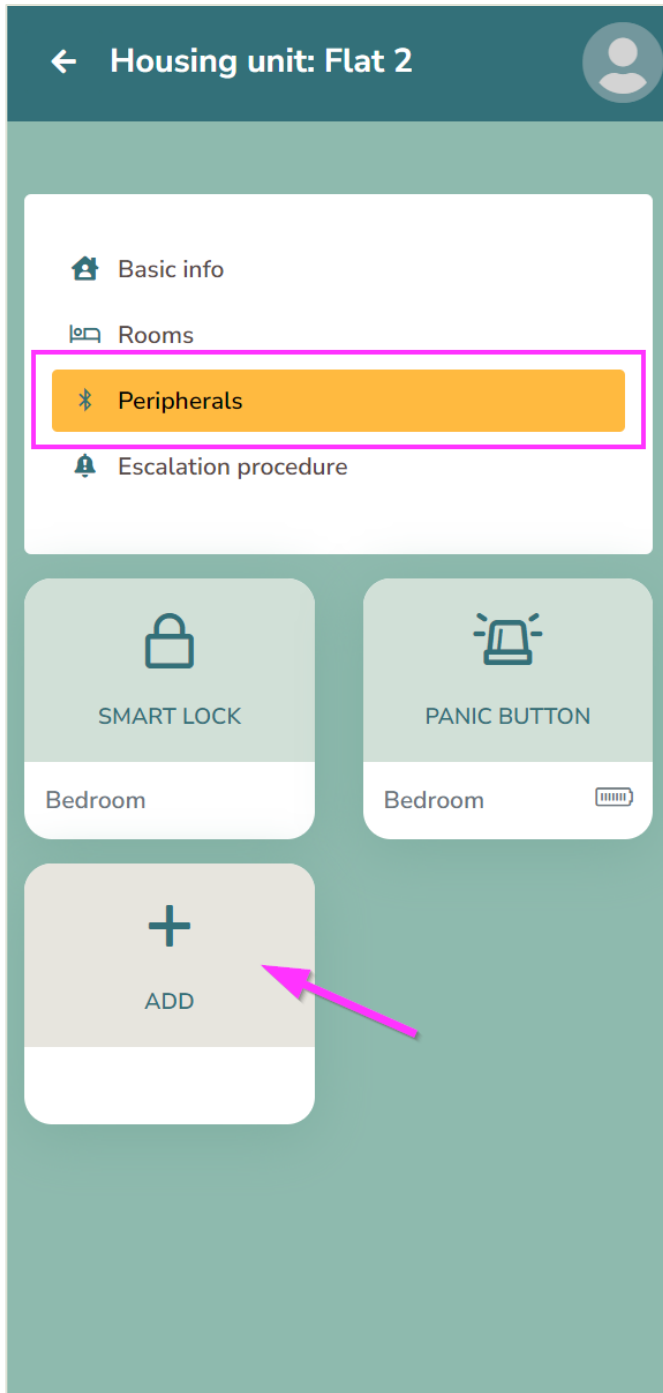
Pairing the Nobi Button

Let's pair the new Nobi Button to a lamp. Since the connection is made via Bluetooth, make sure to keep the peripheral near to the lamp you want it to connect to.


1. Go to Housing units in the left menu. Navigate to the housing unit where you want to add a peripheral and click Edit.




2. Go to the tab Peripherals and click on the + add.




1. Peripheral type 2. Link to room 3. Pair peripheral



Select below the peripheral that will be linked to a room

* Function 

▼

- Capture parameters
- Control light
- Open / Close door
- Send alert
- Snooze lamp / Close escalation 

Back Next

Depending on the button you want to pair, select:

Nobi Light Button

- select Control Light
- select New button
- select Nobi Button (self-powered)

Nobi Presence Button


- select Snooze lamp / Close escalation
- select Self powered
- select Nobi Button (self-powered)

Nobi Alert Button

- select Send alert
- select New button
- select Nobi Button (self-powered)

Choose the room which is the closest to the peripheral you want to add. The light of this lamp will flash when you click on the room in the app. Click next to go to the last step.

1. Peripheral type **2. Link to room** 3. Pair peripheral



Select the room in which the peripheral is installed

Room


Bathroom

Bedroom

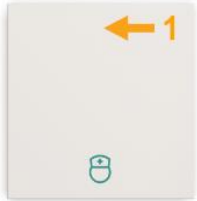
[Back](#) [Next](#)

Now follow the instructions on the screen.

1. Peripheral type **2. Link to room** **3. Pair peripheral**



Follow the steps below to pair the peripheral



- Press & hold the button (1) for more than 7 seconds
- Release
- Press shortly (1)
- Release
- Press & hold the button (1) again for more than 7 seconds

[I followed the steps but it doesn't work](#)

Back Cancel

When pairing (and calibrating) is successful, you will return to the peripherals tab with the new peripheral added to the view. At the top of the screen, Nobi will display that the pairing is successfully completed.

You have now successfully paired a Nobi Button to the lamp.

