

nobi

Pendant

INSTALLATION AND USER MANUAL

Version 1.0



nobi

Pendant

Congratulations on your Nobi Pendant.

The purpose of this document is to provide you with all the necessary information to ensure a smooth installation process. Installation of your Nobi Pendant brings us one step closer to creating a safer and happier living environment.

Be sure to check out our installation videos on: nobi.life/installation.

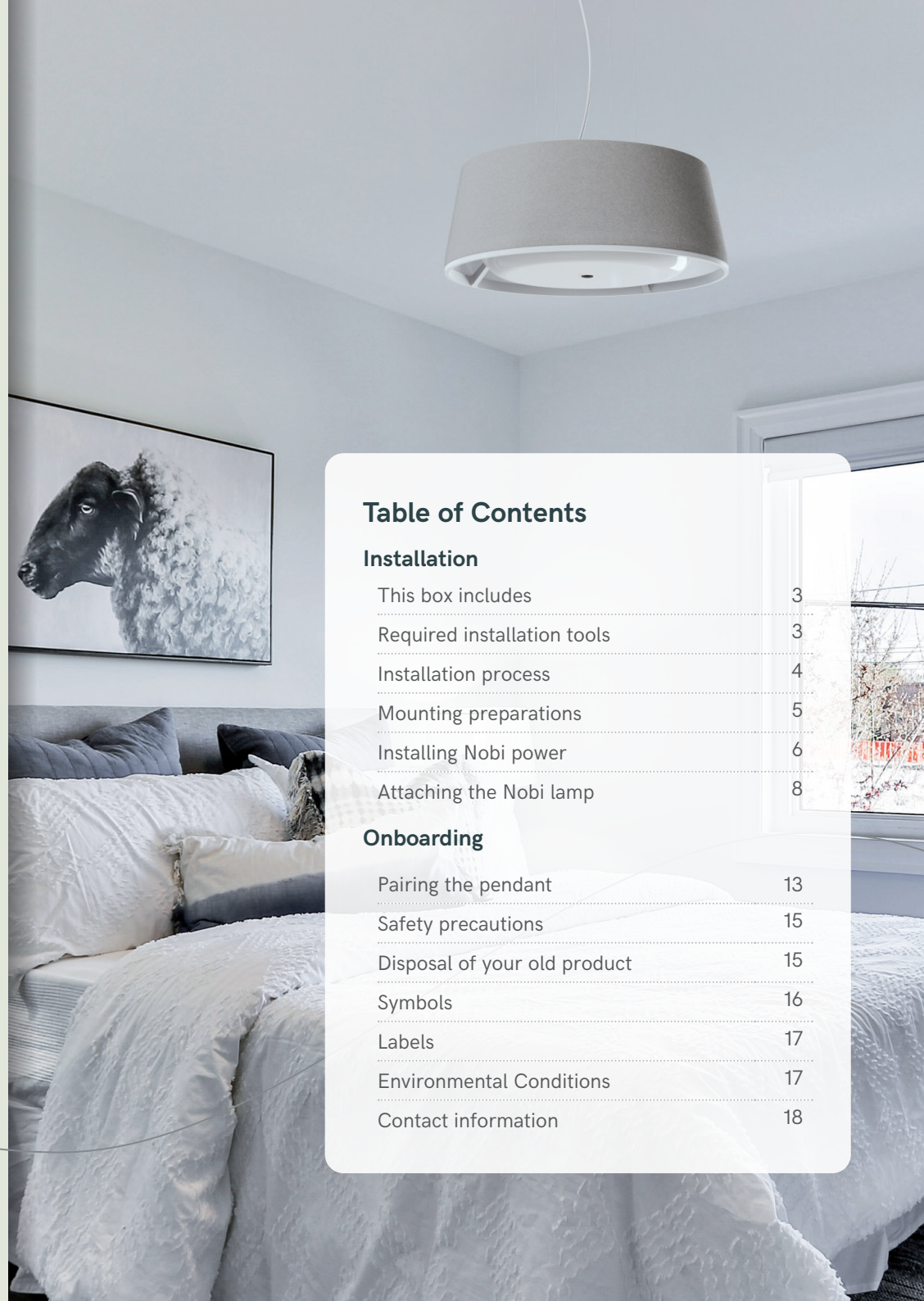
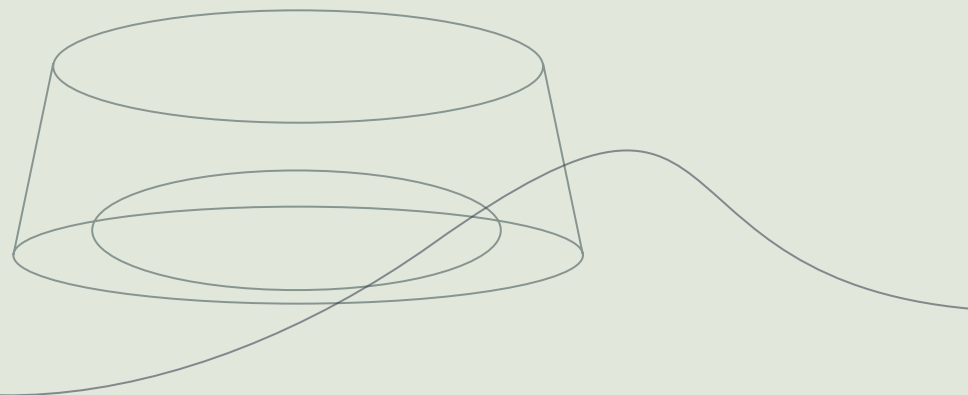


Table of Contents

Installation

This box includes	3
Required installation tools	3
Installation process	4
Mounting preparations	5
Installing Nobi power	6
Attaching the Nobi lamp	8

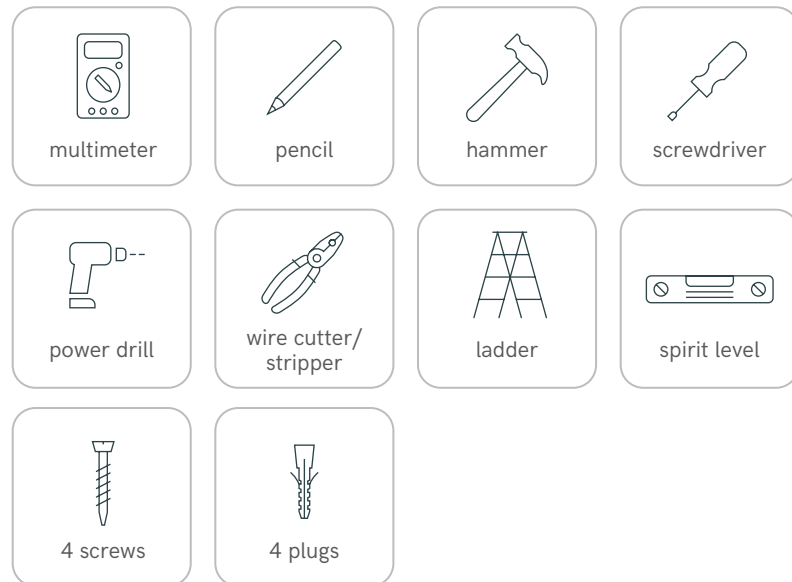
Onboarding

Pairing the pendant	13
Safety precautions	15
Disposal of your old product	15
Symbols	16
Labels	17
Environmental Conditions	17
Contact information	18

This box includes:

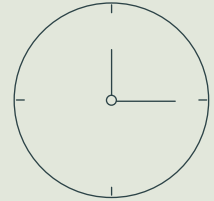
- 1 Nobi lamp
- 1 Nobi power
- 1 Nobi power cover
- steel suspension cables (4)
- cable adjusters (4)
- mounting clips for the suspension cables (4)

For this installation, you'll need:



Installation Process

- Mounting the Nobi Pendant should take approximately **30 minutes**
- Mounting the Nobi wall switch takes around **15 minutes**
- The onboarding process, including connecting any accessories (such as blood pressure meters or scales), should not exceed **10 minutes**



NOTICE: After installation and onboarding, the Nobi Pendant may undergo an update, the duration of which depends on your WiFi network's capacity. The size of the update can be as large as 1 GB. The update occurs in the background and has no impact on Nobi's operation, remaining entirely inconspicuous to the user.

Mounting Nobi

Preparations

- 1 Locate the main circuit breaker (it's advisable to do this in advance) and switch off the electrical power. Switch the main circuit breaker (usually a pair) to the OFF position to cut off the electrical power. To cut off power to individual rooms or circuits, switch the branch circuit breaker to the OFF position.

Before proceeding to the next step, confirm that the circuit breaker is switched off using a multimeter.

- 2 Take the Nobi lamp and the Nobi power out of the box and place them on a flat surface to prepare for installation.
- 3 Remove the current ceiling light fixture (if present), exposing 3 electrical wires: ground, neutral and switched line. Make sure you can identify each wire correctly. Usually, the switched line is brown or black, neutral is blue, and ground is green/yellow.

Note: These colours may differ depending on the country or local electrical installation regulations and practices.

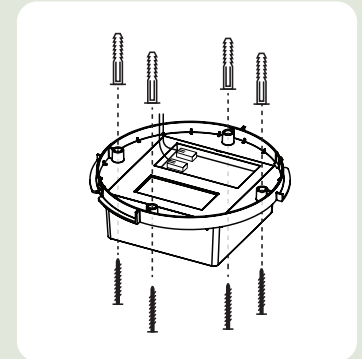
Notice: The switched line must be bridged to the ground wire behind the wall switch that controls the lighting point where the Nobi Pendant will be installed. This ensures a constant 230V power supply to this point. The Bluetooth component that controls the Nobi LED light will be installed behind the wall switch.

More information and installation videos are available on: nobi.life/installation

Installing Nobi power

- 4 Hold the Nobi power against the ceiling and mark the 4 drill holes with a pencil.

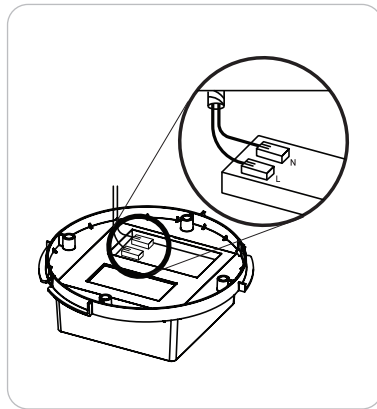
Note: Marking the holes is critical to the accuracy and ease of the subsequent steps; it requires attention.



- 5 Drill the holes at the designated points. Ensure that the holes' depth is suitable for the screws and plugs. Carefully tap the plugs into the drilled holes. Use all four screws for a sturdy installation.

- 6 Now connect the electrical wires to the Nobi power. Connect the ground and neutral wires to the appropriate connectors on the Nobi power. The ground wire should not be connected.

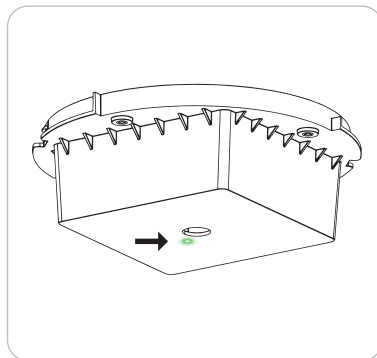
Caution: The neutral and ground wires must not be connected to the same connector.



- 7 Mount the Nobi power with the four screws. Tighten the screws, ensuring the Nobi power is firmly fixed to the ceiling.

- 8 The circuit breaker can now be switched back on.

A small green light will illuminate.

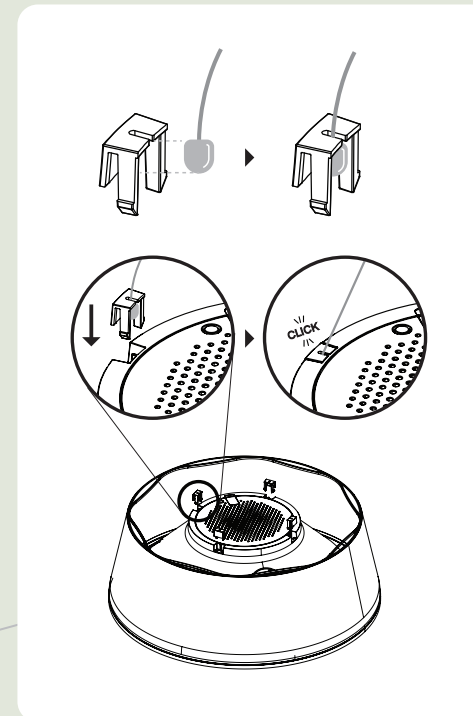


Attaching the Nobi lamp

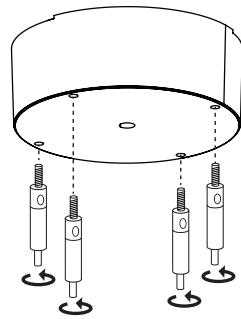
- 9 Place the lamp on a flat surface, unwind the four steel suspension cables one by one, insert each cable into a mounting clip, and click the mounting clips into the lamp.

Attention: Before attaching the mounting clips to the lamp, verify that the length of the steel suspension cables is adequate for the room's height. Once connected, the mounting clips cannot be removed.

Tug on the suspension cables to make sure that everything is secure. Lay the cables over the edge of the lamp for convenience.



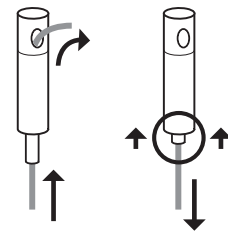
- 10** Attach the cable adjusters to the Nobi power cover.



- 11** Place the lamp on a flat surface and insert each steel suspension cable into one of the four cable adjusters. (Note: this is not easy when standing on a ladder.)

Determine how high you want to hang the lamp. Adjust the length of the cables by pressing the pin on the cable adjuster.

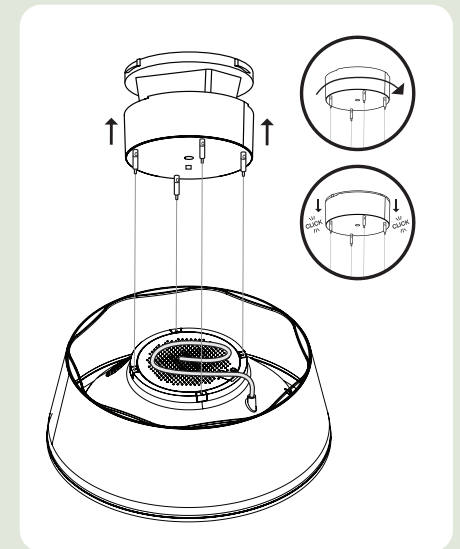
Move the cables until the lamp hangs at the desired height.



- 12** Now you can connect the Nobi lamp to the Nobi power.

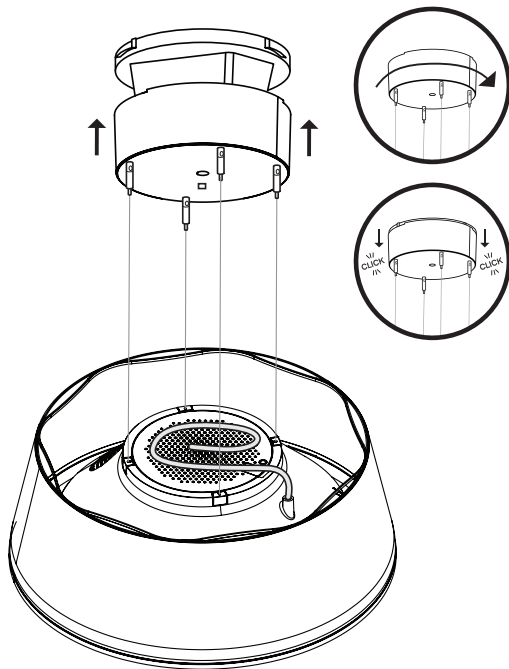
Place the Nobi power cover over the Nobi power, turn it 90 degrees to the right, and then pull down until you hear a click.

Verify that the lamp is level using a spirit level. If adjustments are needed, modify the length of the suspension cables by pushing them up or, to lower them, by pressing the pin on a cable adjuster.



- 13** Once the lamp is at the correct height and level, you can cut off any excess cable length.

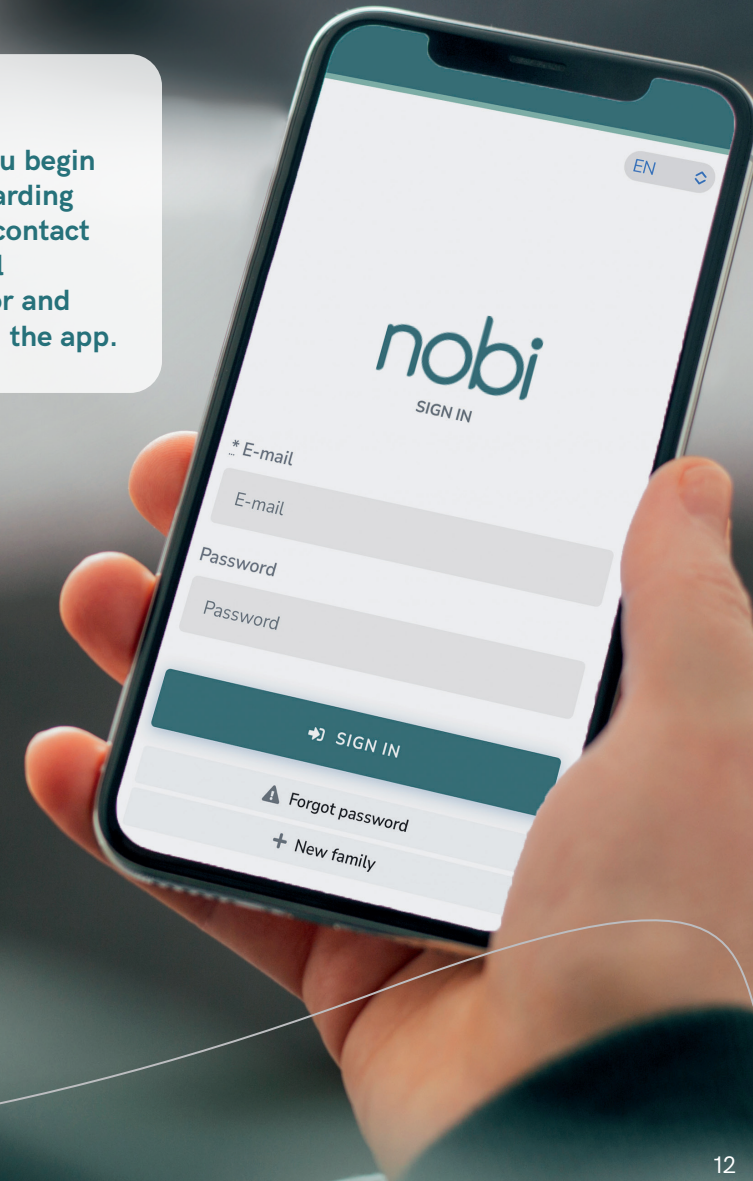
- 14 Connect the power cable on the lamp to the Nobi power. The connection is magnetic.
- 15 The lamp will first flicker white and then flash blue.
- 16 Remove the plastic on the underside of the lamp. It's now ready for onboarding.



Onboarding of the Nobi Pendant



Before you begin the onboarding process, contact your local distributor and download the app.



Pairing the Nobi Pendant

Before you begin the onboarding process, contact your local distributor and download the app. They will help you configure your account. Once your account is configured, you are all set for a successful onboarding.

If this is your first installation, make sure to install a Nobi Pendant or Ceiling.

Open the app:

- 1 In the menu, click on "housing units".
- 2 Find the relevant housing unit.
- 3 Click on 'edit'. Click on 'rooms'. Click on "add".
- 4 Select the type of room; bedroom or living room.
- 5 Click on "Link the lamp".
- 6 Click on "Start link".
- 7 A list of available lamps is displayed. Choose the correct lamp based on the six-character hardware code found on the sticker.
- 8 Click on "Link".
- 9 The pairing process goes through the following steps:
 - set up WIFI connection
 - connect to Nobi Cloud
 - confirmation Nobi.
- 10 The lamp has been successfully added.

In the event of an error, go to the app, click on "contact support" and contact Nobi with a ticket.



Safety precautions



Read the following safety precautions carefully before installing the Nobi Pendant.

- Take care when installing the Nobi Pendant as there is a risk of electric shock.
- This product must be installed in accordance with the applicable installation code by a person familiar with the construction and operation of the product and the hazards involved.
- The Nobi Pendant must be installed in an electrical circuit that contains a fuse with a minimum contact separation of 1/10" (3 mm).
- Do not install the Nobi Pendant in a closet.
- Do not install the Nobi Pendant in a bathroom or WC.
- The Nobi Pendant is designed for indoor use only.
- The Nobi Pendant must be mounted on the ceiling.
- The light source in this luminaire should only be replaced by the manufacturer, its service agent or a similarly qualified person.
- Install the Nobi Pendant out of arm's reach.

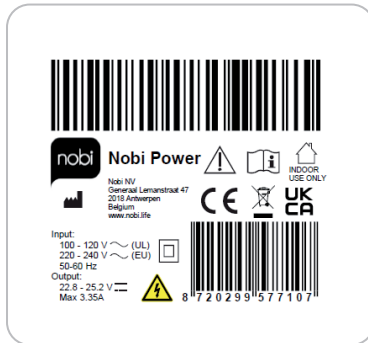
Disposal of your old product: Your product is designed and manufactured with high quality materials and components that can be recycled and reused. Please find out about your local collection system for electrical and electronic products.

Please follow your local regulations and do not dispose of your old product with your regular household waste. Correct disposal of your old product will help prevent potential negative consequences for the environment and human health.

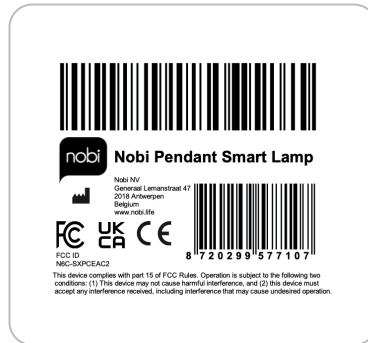
Symbols

	Consult manual before use		FCC marking
	Caution, risk of electric shock		CE marking
	Class II		UK Conformity Assessed
	Class III		Location of manufacturing
	Do not stare at the light source		Recycling
	Ceiling mount use only		Warning sign
	Emits IR light		Read manual before use
	Indoor use only		DC polarity
	Caution is needed when installing and using this device; consult the manual before use		

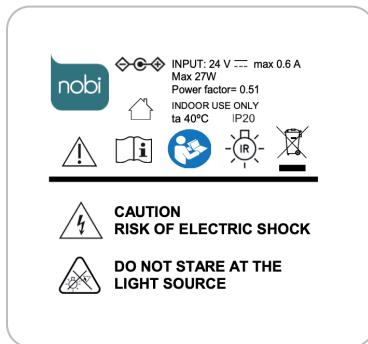
Labels



Nobi Power



Nobi Pendant Smart Lamp



Environmental Conditions

- Operating temperature: 50°F to 104°F
- Operating humidity: 15% to 95% non-condensing
- Atmospheric pressure: +660 to +1060 hPa and maximum 6560 ft (2000 m) altitude

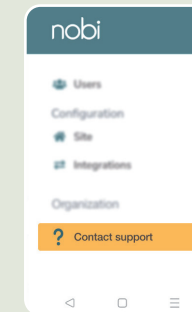
Do you have any questions? Let us assist you!



General questions?

Take a look at our frequently asked questions and answers:

nobi.life/en/frequently-asked-questions



Question after onboarding?

- Go to the app
- Open the menu
- Click on 'contact support'
- Contact Nobi with a ticket

Nobi, proudly supported by:



www.nobi.life